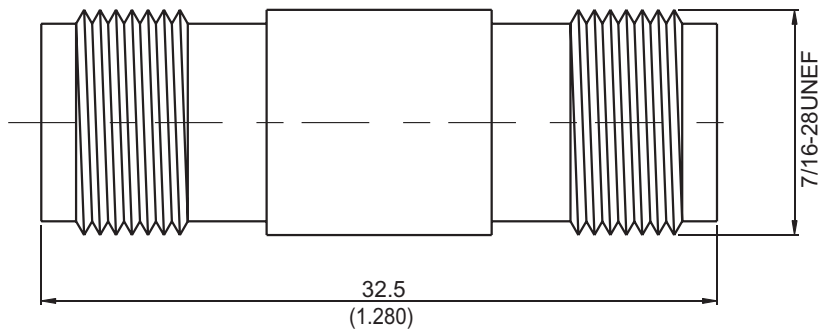


AD-T8T8

TNC Jack To TNC Jack

50Ω



Typical VSWR

Part Number	1 Ghz	2 Ghz	3 Ghz	4 Ghz	5 Ghz	6 Ghz	7 Ghz	8 Ghz	9 Ghz	10 Ghz
AD-T8T8	1.14	1.18	1.18	1.18	1.22	1.26	1.26	1.26	1.26	1.35

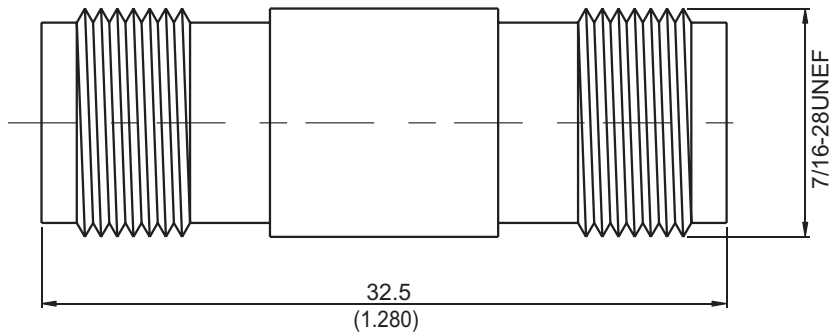
Parts	Material	Plating (Micro-inch)
Contact Pin	Phosphor Bronze	Gold 10 Over Nickel 50 Over Copper 50
Insulator	Teflon	
Body	Brass	Tin-Zinc-Copper-Alloy 100 Over Copper 50

Weight: 11.38 g

Notice: JYEBAO reserves the right to make modifications deemed appropriate.

AD-T9T8

TNC Reverse Polarity Jack To TNC Jack



Typical VSWR

Part Number	1 Ghz	2 Ghz	3 Ghz
AD-T9T8	1.11	1.13	1.27

Parts	Material	Plating (Micro-inch)
Contact Pin	Phosphor Bronze	Gold 10 Over Nickel 50 Over Copper 50
Insulator	Teflon	
Body	Brass	Tin-Zinc-Copper-Alloy 100 Over Copper 50

Weight: 11.39 g

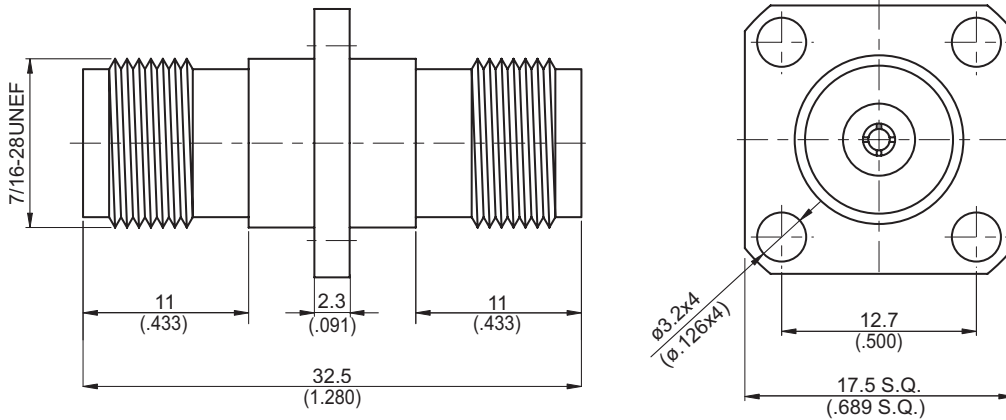
Notice: JYEBAO reserves the right to make modifications deemed appropriate.

AD-T8T8-75	TNC Jack To TNC Jack	75Ω												
<table border="1" style="width: 100%; border-collapse: collapse;"> <thead> <tr> <th style="width: 15%;">Parts</th> <th style="width: 25%;">Material</th> <th style="width: 60%;">Plating (Micro-inch)</th> </tr> </thead> <tbody> <tr> <td>Contact Pin</td> <td>Phosphor Bronze</td> <td>Gold 10 Over Nickel 50 Over Copper 50</td> </tr> <tr> <td>Insulator</td> <td>Teflon</td> <td></td> </tr> <tr> <td>Body</td> <td>Brass</td> <td>Tin-Zinc-Copper-Alloy 100 Over Copper 50</td> </tr> </tbody> </table>			Parts	Material	Plating (Micro-inch)	Contact Pin	Phosphor Bronze	Gold 10 Over Nickel 50 Over Copper 50	Insulator	Teflon		Body	Brass	Tin-Zinc-Copper-Alloy 100 Over Copper 50
Parts	Material	Plating (Micro-inch)												
Contact Pin	Phosphor Bronze	Gold 10 Over Nickel 50 Over Copper 50												
Insulator	Teflon													
Body	Brass	Tin-Zinc-Copper-Alloy 100 Over Copper 50												
Weight: 11.06 g														

Notice: JYEBAO reserves the right to make modifications deemed appropriate.

AD-T8T8-P4

TNC Jack To TNC Jack For Panel Receptacle 50Ω



Typical VSWR

Part Number	1 Ghz	2 Ghz	3 Ghz	4 Ghz	5 Ghz	6 Ghz	7 Ghz	8 Ghz	9 Ghz	10 Ghz
AD-T8T8-P4	1.14	1.16	1.16	1.16	1.26	1.26	1.26	1.26	1.26	1.35

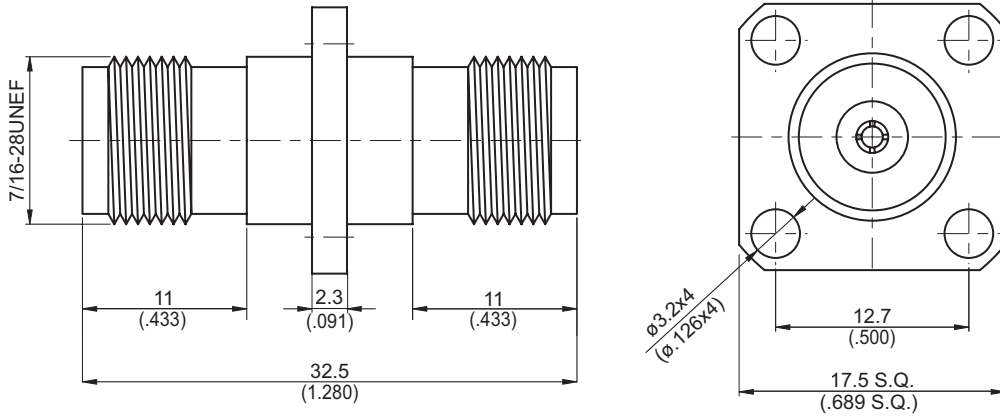
Parts	Material	Plating (Micro-inch)
Contact Pin	Phosphor Bronze	Gold 10 Over Nickel 50 Over Copper 50
Insulator	Teflon	
Body	Brass	Tin-Zinc-Copper-Alloy 100 Over Copper 50

Weight: 14.5 g

Notice: JYEBAO reserves the right to make modifications deemed appropriate.

AD-T8T8-P4-75

TNC Jack To TNC Jack For Panel Receptacle 75Ω



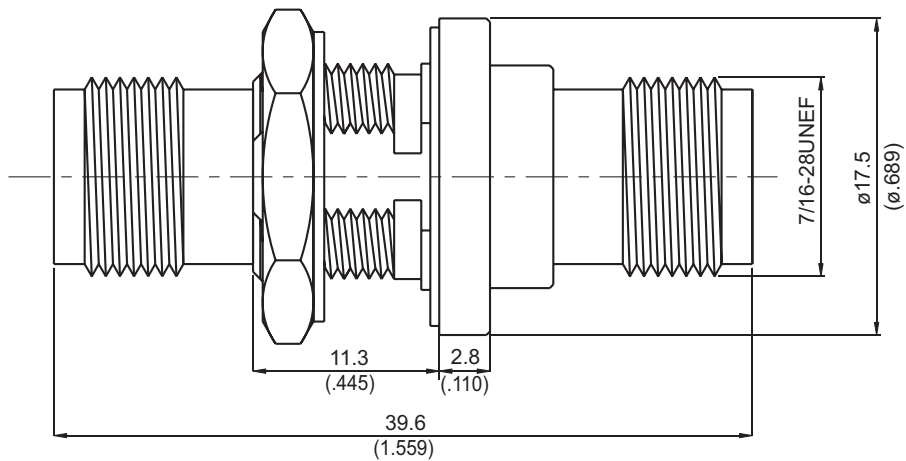
Parts	Material	Plating (Micro-inch)
Contact Pin	Phosphor Bronze	Gold 10 Over Nickel 50 Over Copper 50
Insulator	Teflon	
Body	Brass	Tin-Zinc-Copper-Alloy 100 Over Copper 50

Weight: 14.2 g

Notice: JYEBAO reserves the right to make modifications deemed appropriate.

AD-T8T8-BF

TNC Jack To TNC Jack For Bulkhead 50Ω



Typical VSWR

Part Number	1 Ghz	2 Ghz	3 Ghz	4 Ghz	5 Ghz	6 Ghz	7 Ghz	8 Ghz	9 Ghz	10 Ghz
AD-T8T8-BF	1.14	1.16	1.26	1.26	1.26	1.26	1.26	1.26	1.26	1.35

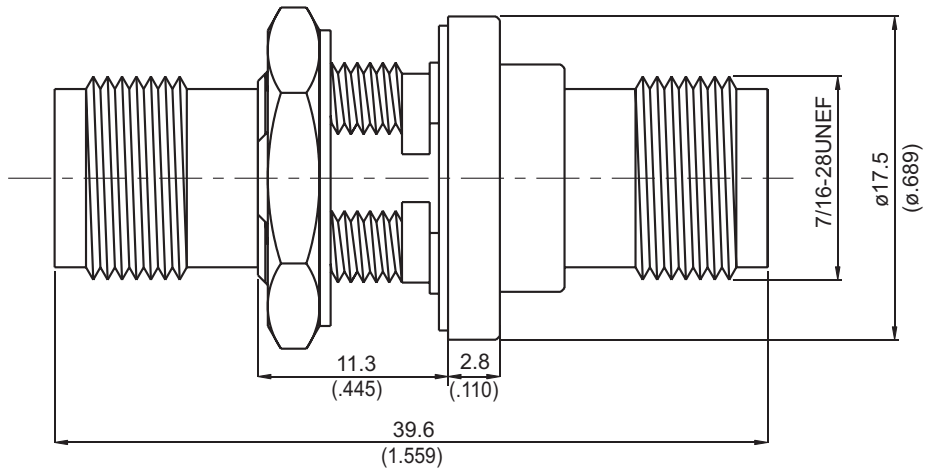
Parts	Material	Plating (Micro-inch)
Contact Pin	Phosphor Bronze	Gold 10 Over Nickel 50 Over Copper 50
Nut Hex	Brass	Tin-Zinc-Copper-Alloy 100 Over Copper 50
Washer	Brass	Tin-Zinc-Copper-Alloy 100 Over Copper 50
Gasket	Silicon	
Insulator	Teflon	
Body	Brass	Tin-Zinc-Copper-Alloy 100 Over Copper 50

Weight: 21.88 g

Notice: JYEBAO reserves the right to make modifications deemed appropriate.

AD-T8T8-BF-75

TNC Jack To TNC Jack For Bulkhead 75Ω



Parts	Material	Plating (Micro-inch)
Contact Pin	Phosphor Bronze	Gold 10 Over Nickel 50 Over Copper 50
Nut Hex	Brass	Tin-Zinc-Copper-Alloy 100 Over Copper 50
Washer	Brass	Tin-Zinc-Copper-Alloy 100 Over Copper 50
Gasket	Silicon	
Insulator	Teflon	
Body	Brass	Tin-Zinc-Copper-Alloy 100 Over Copper 50

Weight: 21.5 g

Notice: JYEBAO reserves the right to make modifications deemed appropriate.