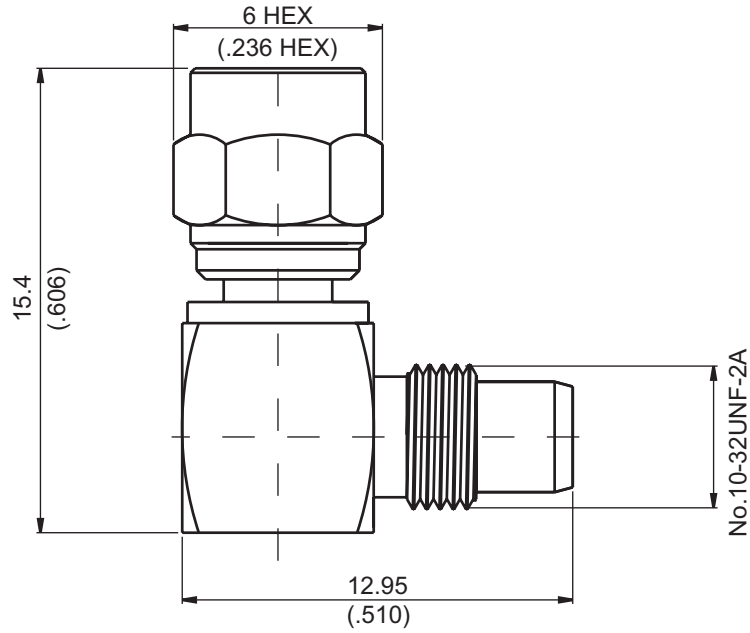


AL-MC3MC8

SMC Plug To SMC Jack Right Angle 50Ω



Parts	Material	Plating (Micro-inch)
Contact Pin(Plug)	Beryllium Copper	Gold 10 Over Nickel 50 Over Copper 50
Contact Pin(Jack)	Brass	Gold 10 Over Nickel 50 Over Copper 50
Insulator	Teflon	
Gasket	Silicon	
Cover	Brass	Gold 5 Over Nickel 50 Over Copper 50
Body	Brass	Gold 5 Over Nickel 50 Over Copper 50
Coupling Nut	Brass	Gold 5 Over Nickel 50 Over Copper 50

Weight: 3.05 g

Notice: JYEBAO reserves the right to make modifications deemed appropriate.