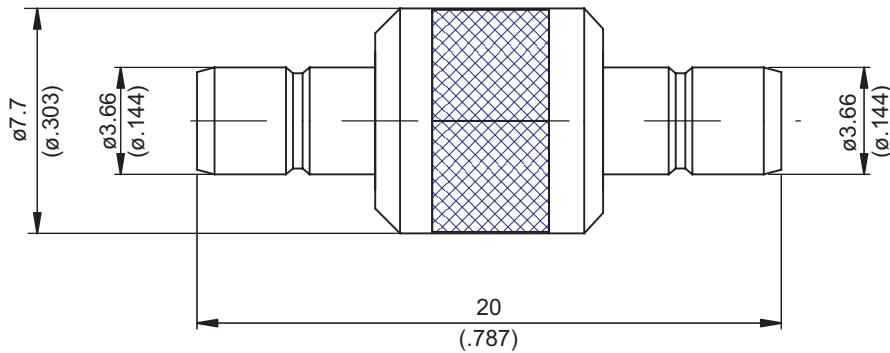


AD-S8S8

SMB Jack To SMB Jack

50Ω



Typical VSWR

Part Number	1 Ghz	2 Ghz	3 Ghz	4 Ghz	5 Ghz
AD-S8S8	1.11	1.11	1.11	1.11	1.23

Parts	Material	Plating (Micro-inch)
Contact Pin	Brass	Gold 20 Over Nickel 50 Over Copper 50
Insulator	Teflon	
Body	Brass	Gold 5 Over Nickel 50 Over Copper 50

Weight: