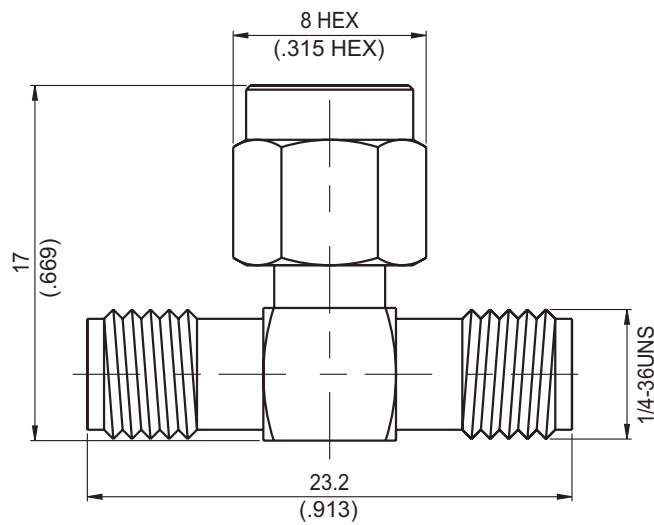


ATSG-A8A3A8

SMA Jack To SMA Plug To SMA Jack



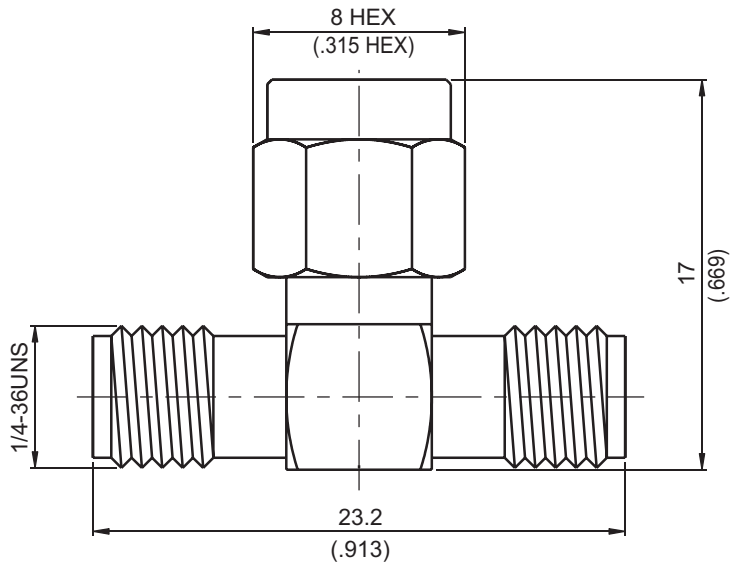
Parts	Material	Plating (Micro-inch)
Cover	Brass	Gold 5 Over Nickel 50 Over Copper 50
Renbrock Ring	Beryllium Copper	Gold 5 Over Nickel 50 Over Copper 50
Gasket	Silicone	
Contact Pin(Plug)	Brass	Gold 10 Over Nickel 50 Over Copper 50
Contact Pin(Jack)	Beryllium Copper	Gold 10 Over Nickel 50 Over Copper 50
Insulator	Teflon	
Body	Stainless	Gold 5 Over Nickel 50 Over Copper 50
Coupling Nut	Stainless	Gold 5 Over Nickel 50 Over Copper 50

Weight: 5.41 g

Notice: JYEBAO reserves the right to make modifications deemed appropriate.

AT-A8A3A8

SMA Jack To SMA Plug To SMA Jack



Parts	Material	Plating (Micro-inch)
Cover	Brass	Gold 5 Over Nickel 50 Over Copper 50
Renbrock Ring	Beryllium Copper	Tin-Zinc-Copper-Alloy 100 Over Copper 50
Gasket	Silicone	
Contact Pin(Jack)	Beryllium Copper	Gold 10 Over Nickel 50 Over Copper 50
Contact Pin(Plug)	Brass	Gold 10 Over Nickel 50 Over Copper 50
Insulator	Teflon	
Body	Brass	Gold 5 Over Nickel 50 Over Copper 50
Coupling Nut	Brass	Gold 5 Over Nickel 50 Over Copper 50

Weight: 5.38 g

Notice: JYEBAO reserves the right to make modifications deemed appropriate.