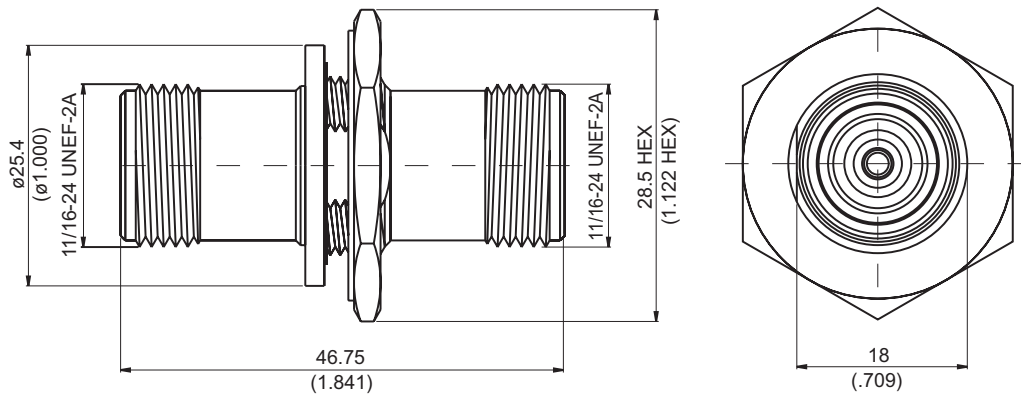


ADS-SC8SC8-BF

SC Jack To SC Jack For Bulkhead 50Ω



Typical VSWR

Part Number	1 Ghz	2 Ghz
ADS-SC8SC8-BF	1.29	1.33

Parts	Material	Plating (Micro-inch)
Hex Nut	Stainless	Tin-Zinc-Copper-Alloy 100 Over Copper 50
Washer	Stainless	Tin-Zinc-Copper-Alloy 100 Over Copper 50
Gasket	Silicon	
Contact Pin	Phosphor Bronze	Gold 10 Over Nickel 50 Over Copper 50
Insulator	Teflon	
Body	Stainless	Passivated

Weight: 62.06 g

Notice: JYEBAO reserves the right to make modifications deemed appropriate.