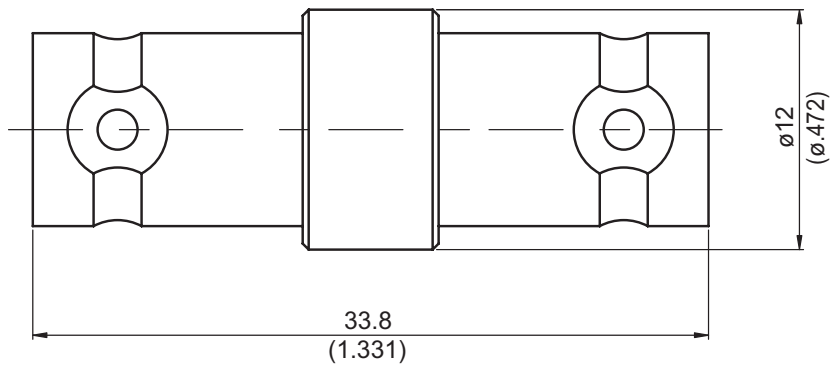


AD-H8H8

MHV Jack To MHV Jack

50Ω



Typical VSWR

Part Number	300 Mhz
AD-H8H8	1.2

Parts	Material	Plating (Micro-inch)
Lock Washer	Brass	Tin-Zinc-Copper-Alloy 100 Over Copper 50
Contact Pin	Phosphor Bronze	Gold 10 Over Nickel 50 Over Copper 50
Insulator	Teflon	
Body	Brass	Tin-Zinc-Copper-Alloy 100 Over Copper 50

Weight: 11.93 g

Notice: JYEBAO reserves the right to make modifications deemed appropriate.