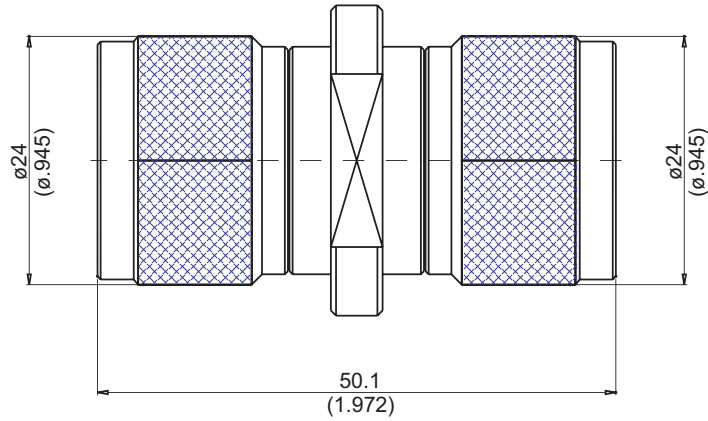


AD-HN3HN3

HN Plug To HN Plug

50Ω



Typical VSWR

Part Number	1 Ghz	2 Ghz	3 Ghz	4 Ghz	5 Ghz	6 Ghz	7 Ghz	8 Ghz
AD-HN3HN3	1.02	1.04	1.04	1.04	1.08	1.11	1.17	1.22

Parts	Material	Plating (Micro-inch)
Contact Body	Brass	Nickel 100 Over Copper 50
Contact Pin	Brass	Silver 150 Over Copper 50
Insulator	Teflon	
Body	Brass	Nickel 100 Over Copper 50
Gasket	Silicon	
Coupling Nut	Brass	Nickel 100 Over Copper 50

Weight: 112.51 g

Notice: JYEBAO reserves the right to make modifications deemed appropriate.