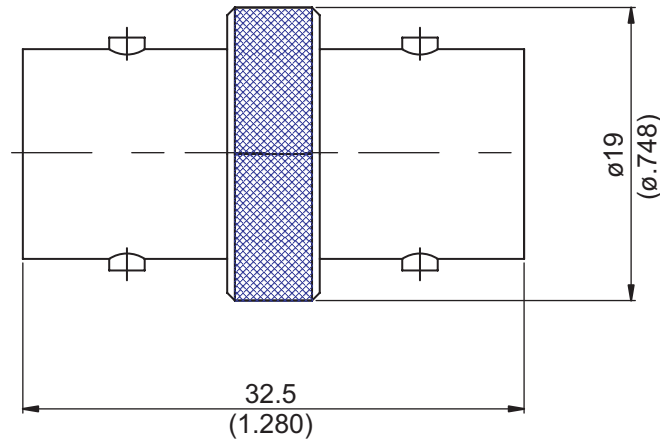


AD-C8C8

C Jack To C Jack

50Ω



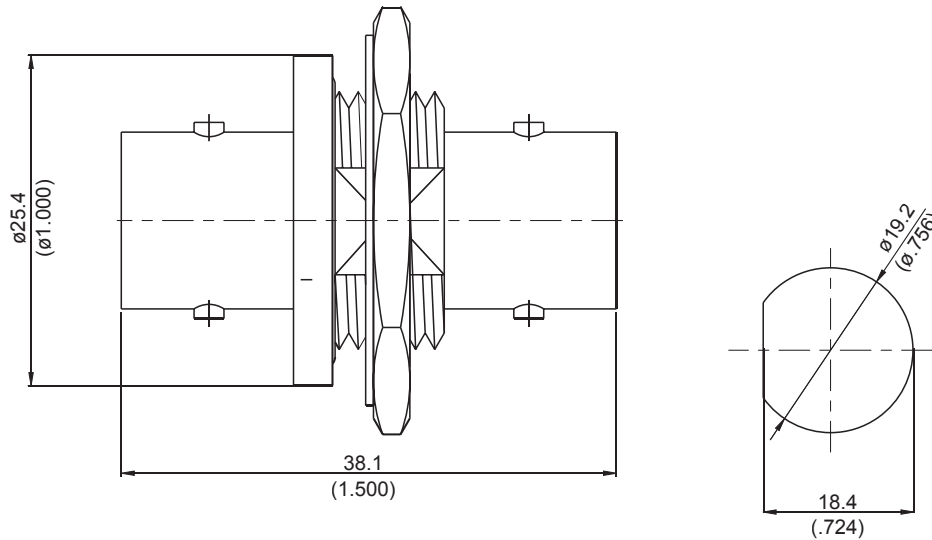
Parts	Material	Plating (Micro-inch)
Contact Pin	Beryllium Copper	Gold 10 Over Nickel 50 Over Copper 50
Insulator	Teflon	
Body	Brass	Nickel 100 Over Copper 50
Part	Brass	Nickel 100 Over Copper 50

Weight:

Notice: JYEBAO reserves the right to make modifications deemed appropriate.

AD-C8C8-BF

C Jack To C Jack For Bulkhead 50Ω



Parts	Material	Plating (Micro-inch)
Contact Pin	Beryllium Copper	Gold 10 Over Nickel 50 Over Copper 50
Insulator	Teflon	
Body	Brass	Nickel 100 Over Copper 50
Gasket	Silicon	
Washer	Brass	Nickel 100 Over Copper 50
Hex Nut	Brass	Nickel 100 Over Copper 50

Weight:

Notice: JYEBAO reserves the right to make modifications deemed appropriate.