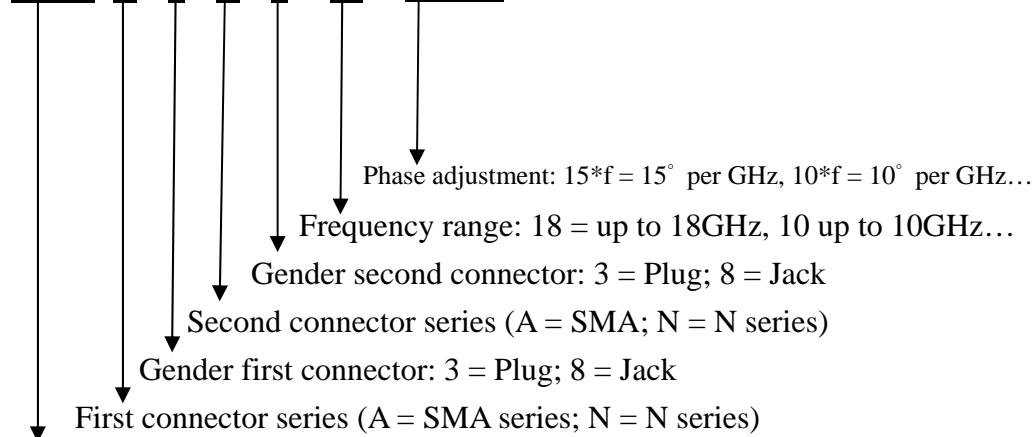


Phase trimmer

A phase trimmer continuously changes the phase of a microwave signal by mechanically varying an adjustment screw.

Phase Trimmer Part Numbering System:

PTSG- A 3 A 8 -18- 15 *f



PTSG = Phase Trimmer Stainless Gold plated

The spec sheets of [PTS-A3A8-18-15*f](#) and [PTSG-A3A8-18-15*f](#) which are SMA plug to SMA jack 18GHz phase trimmers can be downloaded in pdf format.

Jyebao custom develops phase trimmers on request. Please compile a Jyebao phase trimmer part number reflecting the type of phase trimmer required and contact us. For example: an 10GHz N plug to N jack phase trimmer with a phase of 10 degrees per GHz would have part number **PTS-N3N8-10-15*f**