

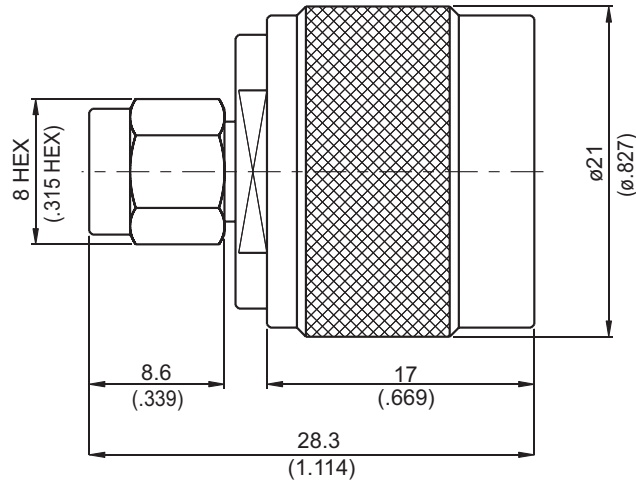
ADS-A3N3	SMA Plug To N Plug	50Ω																								
<p>Typical VSWR</p> <table border="1" style="margin-left: auto; margin-right: auto;"> <thead> <tr> <th>Part Number</th> <th>1 GHz</th> <th>2 GHz</th> <th>3 GHz</th> <th>4 GHz</th> <th>5 GHz</th> <th>6 GHz</th> <th>7 GHz</th> <th>8 GHz</th> <th>9 GHz</th> <th>10 GHz</th> </tr> </thead> <tbody> <tr> <td>ADS-A3N3</td> <td>1.06</td> <td>1.06</td> <td>1.06</td> <td>1.07</td> <td>1.09</td> <td>1.09</td> <td>1.24</td> <td>1.29</td> <td>1.32</td> <td>1.33</td> </tr> </tbody> </table>			Part Number	1 GHz	2 GHz	3 GHz	4 GHz	5 GHz	6 GHz	7 GHz	8 GHz	9 GHz	10 GHz	ADS-A3N3	1.06	1.06	1.06	1.07	1.09	1.09	1.24	1.29	1.32	1.33		
Part Number	1 GHz	2 GHz	3 GHz	4 GHz	5 GHz	6 GHz	7 GHz	8 GHz	9 GHz	10 GHz																
ADS-A3N3	1.06	1.06	1.06	1.07	1.09	1.09	1.24	1.29	1.32	1.33																
<table border="1" style="width: 100%; border-collapse: collapse;"> <thead> <tr> <th style="width: 15%;">Parts</th> <th style="width: 20%;">Material</th> <th style="width: 65%;">Plating (Micro-inch)</th> </tr> </thead> <tbody> <tr> <td>Retainer Ring</td> <td>Beryllium Copper</td> <td>Tin-Zinc-Copper-Alloy 100 Over Copper 50</td> </tr> <tr> <td>Retainer Ring</td> <td>Brass</td> <td>Tin-Zinc-Copper-Alloy 100 Over Copper 50</td> </tr> <tr> <td>Gasket</td> <td>Silicone</td> <td></td> </tr> <tr> <td>Contact Pin</td> <td>Brass</td> <td>Gold 10 Over Nickel 50 Over Copper 50</td> </tr> <tr> <td>Insulator</td> <td>Teflon</td> <td></td> </tr> <tr> <td>Body</td> <td>Stainless</td> <td>Passivated</td> </tr> <tr> <td>Coupling Nut</td> <td>Stainless</td> <td>Passivated</td> </tr> </tbody> </table>			Parts	Material	Plating (Micro-inch)	Retainer Ring	Beryllium Copper	Tin-Zinc-Copper-Alloy 100 Over Copper 50	Retainer Ring	Brass	Tin-Zinc-Copper-Alloy 100 Over Copper 50	Gasket	Silicone		Contact Pin	Brass	Gold 10 Over Nickel 50 Over Copper 50	Insulator	Teflon		Body	Stainless	Passivated	Coupling Nut	Stainless	Passivated
Parts	Material	Plating (Micro-inch)																								
Retainer Ring	Beryllium Copper	Tin-Zinc-Copper-Alloy 100 Over Copper 50																								
Retainer Ring	Brass	Tin-Zinc-Copper-Alloy 100 Over Copper 50																								
Gasket	Silicone																									
Contact Pin	Brass	Gold 10 Over Nickel 50 Over Copper 50																								
Insulator	Teflon																									
Body	Stainless	Passivated																								
Coupling Nut	Stainless	Passivated																								
<p>Weight: 31.21 g</p>																										

Notice: JYEBAO reserves the right to make modifications deemed appropriate.

AD-A3N3

SMA Plug To N Plug

50Ω



Typical VSWR

Part Number	1 GHz	2 GHz	3 GHz	4 GHz	5 GHz	6 GHz	7 GHz	8 GHz	9 GHz
AD-A3N3	1.05	1.05	1.05	1.05	1.09	1.17	1.19	1.22	1.22
	10 GHz	11 GHz	12 GHz	13 GHz	14 GHz	15 GHz	16 GHz	17 GHz	/
	1.22	1.22	1.22	1.22	1.22	1.33	1.33	1.33	/

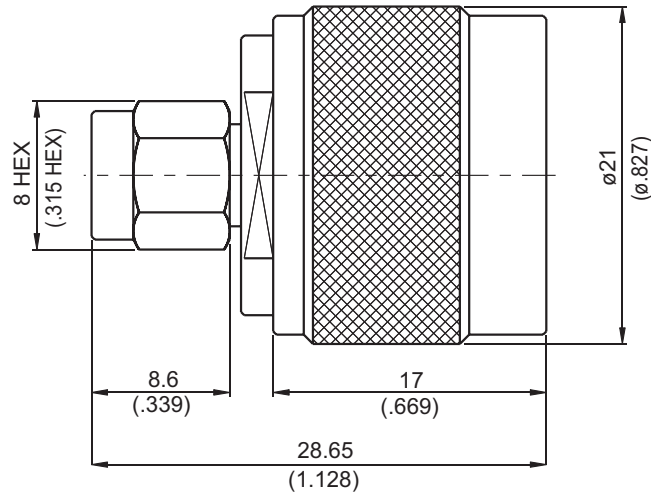
Parts	Material	Plating (Micro-inch)
Renber Ring	Beryllium Copper	Tin-Zinc-Copper-Alloy 100 Over Copper 50
Coupling Nut(SMA)	Brass	Gold 5 Over Nickel 50 Over Copper 50
Renber Ring	Brass	Tin-Zinc-Copper-Alloy 100 Over Copper 50
Gasket	Silicone	
Contact Pin	Brass	Gold 10 Over Nickel 50 Over Copper 50
Insulator	Teflon	
Body(SMA)	Brass	Gold 5 Over Nickel 50 Over Copper 50
Body(N)	Brass	Tin-Zinc-Copper-Alloy 100 Over Copper 50
Coupling Nut(N)	Brass	Tin-Zinc-Copper-Alloy 100 Over Copper 50

Weight: 32.56 g

Notice: JYEBAO reserves the right to make modifications deemed appropriate.

AD-A6N3

SMA Reverse Polarity Plug To N Plug 50Ω



Typical VSWR

Part Number	1Ghz	2Ghz	3Ghz	4Ghz	5Ghz	6Ghz	7Ghz	8Ghz
AD-A6N3	1.05	1.07	1.08	1.08	1.13	1.18	1.19	1.22
	9Ghz	10Ghz	11Ghz	12Ghz	13Ghz	14Ghz	15Ghz	/
	1.22	1.22	1.22	1.22	1.22	1.27	1.3	/

Parts	Material	Plating (Micro-inch)
Retainer Ring	Beryllium Copper	Tin-Zinc-Copper-Alloy 100 Over Copper 50
Gasket	Silicone	
Coupling Nut(SMA)	Brass	Gold 5 Over Nickel 50 Over Copper 50
Retainer Ring	Brass	Tin-Zinc-Copper-Alloy 100 Over Copper 50
Contact Pin	Phosphor Bronze	Gold 10 Over Nickel 50 Over Copper 50
Insulator	Teflon	
Body(SMA)	Brass	Gold 5 Over Nickel 50 Over Copper 50
Body(N)	Brass	Tin-Zinc-Copper-Alloy 100 Over Copper 50
Coupling Nut(N)	Brass	Tin-Zinc-Copper-Alloy 100 Over Copper 50

Weight: