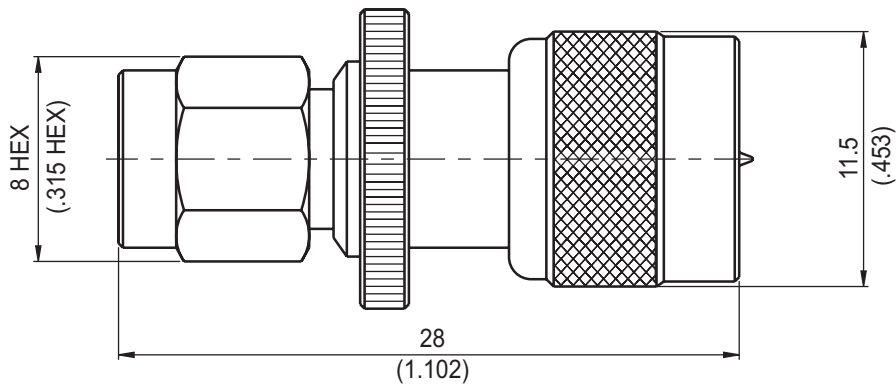


AD-A3MU3

SMA Plug To MINI UHF Plug



Typical VSWR

Part Number	1 GHz	2 GHz	3 GHz
AD-A3MU3	1.17	1.23	1.35

Parts	Material	Plating (Micro-inch)
Coupling Nut(Mini UHF)	Brass	Tin-Zinc-Copper-Alloy 100 Over Copper 50
Renber Ring	Beryllium Copper	Tin-Zinc-Copper-Alloy 100 Over Copper 50
Gasket	Silicone	
Body(Mini UHF)	Brass	Tin-Zinc-Copper-Alloy 100 Over Copper 50
Contact Pin	Brass	Gold 10 Over Nickel 50 Over Copper 50
Insulator	Teflon	
Body(SMA)	Brass	Gold 5 Over Nickel 50 Over Copper 50
Coupling Nut(SMA)	Brass	Gold 5 Over Nickel 50 Over Copper 50

Weight: 10.43 g

Notice: JYEBAO reserves the right to make modifications deemed appropriate.