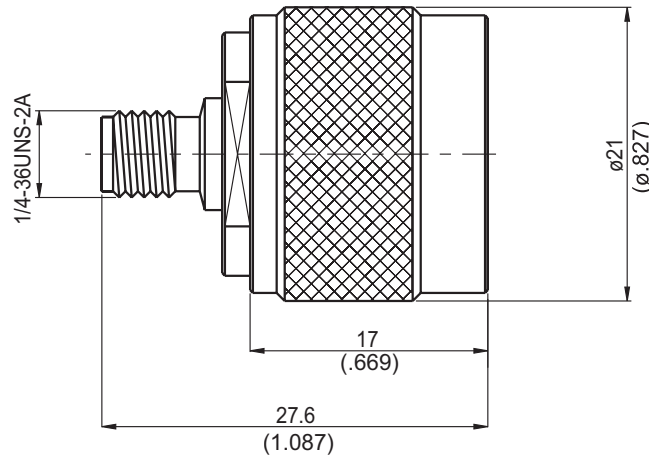


ADS-A8N3

SMA Jack To N Plug

50Ω



Typical VSWR

Part Number	1 GHz	2 GHz	3 GHz	4 GHz	5 GHz	6 GHz
ADS-A8N3	1.01	1.01	1.03	1.06	1.1	1.13
	7 GHz	8 GHz	9 GHz	10 GHz	11 GHz	12 GHz
	1.16	1.2	1.24	1.24	1.24	1.3

Parts	Material	Plating (Micro-inch)
Retainer Ring	Brass	Tin-Zinc-Copper-Alloy 100 Over Copper 50
Gasket	Silicone	
Contact Pin	Phosphor Bronze	Gold 10 Over Nickel 50 Over Copper 50
Insulator	Teflon	
Body	Stainless	Passivated
Coupling Nut	Stainless	Passivated

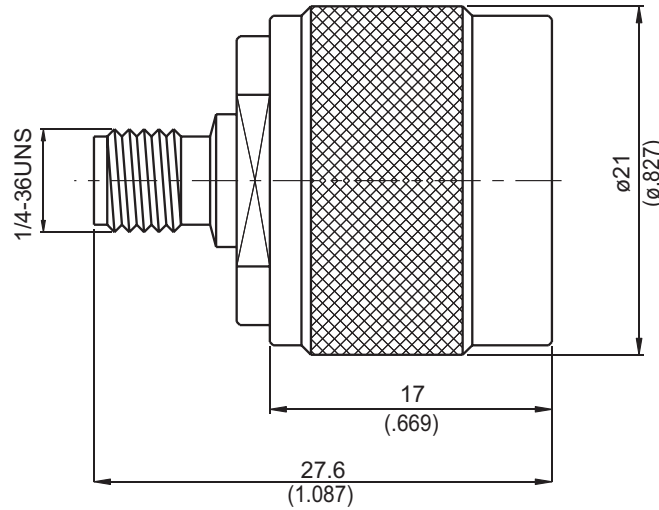
Weight: 29.58 g

Notice: JYEBAO reserves the right to make modifications deemed appropriate.

AD-A8N3

SMA Jack To N Plug

50Ω



Typical VSWR

Part Number	1 GHz	2 GHz	3 GHz	4 GHz	5 GHz	6 GHz	7 GHz
AD-A8N3	1.02	1.05	1.08	1.08	1.08	1.08	1.14
	8 GHz	9 GHz	10 GHz	11 GHz	12 GHz	13 GHz	/
	1.21	1.24	1.24	1.31	1.31	1.31	/

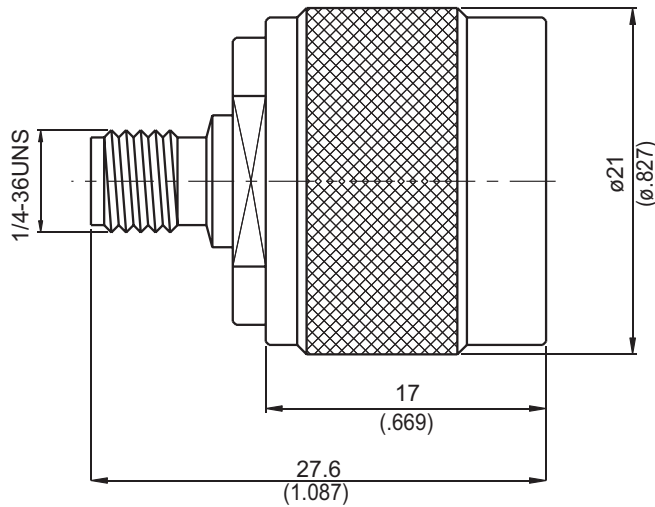
Parts	Material	Plating (Micro-inch)
Renber Ring	Brass	Tin-Zinc-Copper-Alloy 100 Over Copper 50
Gasket	Silicone	
Center Pin	Phosphor Bronze	Gold 10 Over Nickel 50 Over Copper 50
Insulator	Teflon	
Body(N)	Brass	Tin-Zinc-Copper-Alloy 100 Over Copper 50
Body(SMA)	Brass	Gold 5 Over Nickel 50 Over Copper 50
Coupling Nut(N)	Brass	Tin-Zinc-Copper-Alloy 100 Over Copper 50

Weight: 32.24 g

Notice: JYEBAO reserves the right to make modifications deemed appropriate.

AD-A8N6

SMA Jack To N Reverse Polarity Plug 50Ω



Typical VSWR

Part Number	1 Ghz	2 Ghz	3 Ghz	4 Ghz	5 Ghz
AD-A8N6	1.05	1.06	1.12	1.16	1.24

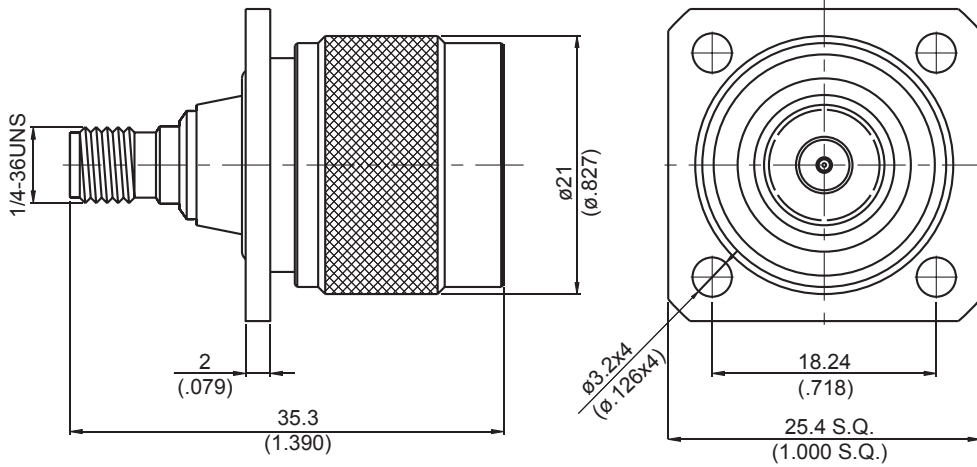
Parts	Material	Plating (Micro-inch)
Renber Ring	Brass	Tin-Zinc-Copper-Alloy 100 Over Copper 50
Gasket	Silicone	
Center Pin	Beryllium Copper	Gold 10 Over Nickel 50 Over Copper 50
Insulator	Teflon	
Body(N)	Brass	Tin-Zinc-Copper-Alloy 100 Over Copper 50
Body(SMA)	Brass	Gold 5 Over Nickel 50 Over Copper 50
Coupling Nut(N)	Brass	Tin-Zinc-Copper-Alloy 100 Over Copper 50

Weight:

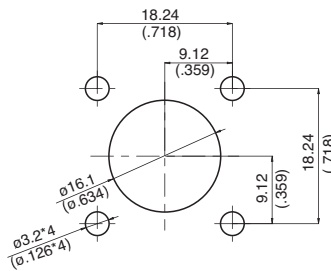
Notice: JYEBAO reserves the right to make modifications deemed appropriate.

AD-A8N3-P4

SMA Jack To N Plug For Panel Receptacle 50Ω



MOUNTING HOLE :



Typical VSWR

Part Number	1 GHz	2 GHz	3 GHz	4 GHz	5 GHz	6 GHz	7 GHz	8 GHz	9 GHz
AD-A8N3-P4	1.01	1.04	1.08	1.08	1.08	1.08	1.08	1.15	1.28

Parts	Material	Plating (Micro-inch)
Contact Pin(SMA)	Beryllium Copper	Gold 10 Over Nickel 50 Over Copper 50
O-Ring	Silicone	
Insulator	Teflon	
Renber Ring	Brass	Tin-Zinc-Copper-Alloy 100 Over Copper 50
Gasket	Silicone	
Contact Body	Brass	Tin-Zinc-Copper-Alloy 100 Over Copper 50
Contact Pin(N)	Brass	Gold 10 Over Nickel 50 Over Copper 50
Body(N)	Brass	Tin-Zinc-Copper-Alloy 100 Over Copper 50
Body(SMA)	Brass	Gold 5 Over Nickel 50 Over Copper 50
Coupling Nut(N)	Brass	Tin-Zinc-Copper-Alloy 100 Over Copper 50

Weight: 40.19 g

Notice: JYEBAO reserves the right to make modifications deemed appropriate.