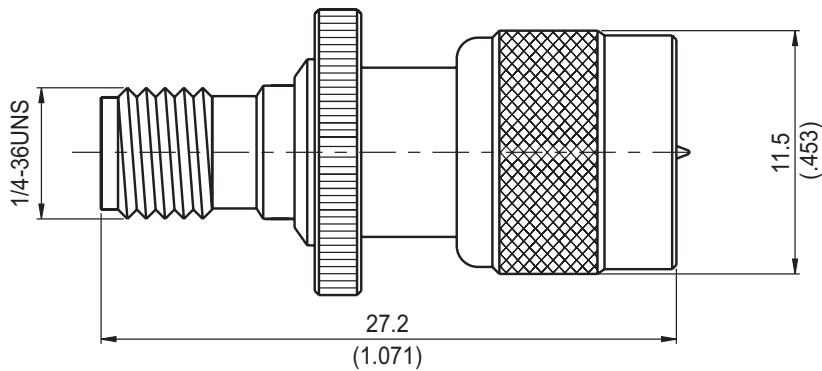


AD-A8MU3

SMA Jack To MINI UHF Plug



Typical VSWR

Part Number	1 GHz	2 GHz	3 GHz
AD-A8MU3	1.12	1.22	1.33

Parts	Material	Plating (Micro-inch)
Contact Pin	Beryllium Copper	Gold 10 Over Nickel 50 Over Copper 50
Body(Mini UHF)	Brass	Tin-Zinc-Copper-Alloy 100 Over Copper 50
Insulator	Teflon	
Coupling Nut(Mini UHF)	Brass	Tin-Zinc-Copper-Alloy 100 Over Copper 50
Contact Body	Brass	Gold 5 Over Nickel 50 Over Copper 50

Weight: 9.06 g

Notice: JYEBAO reserves the right to make modifications deemed appropriate.