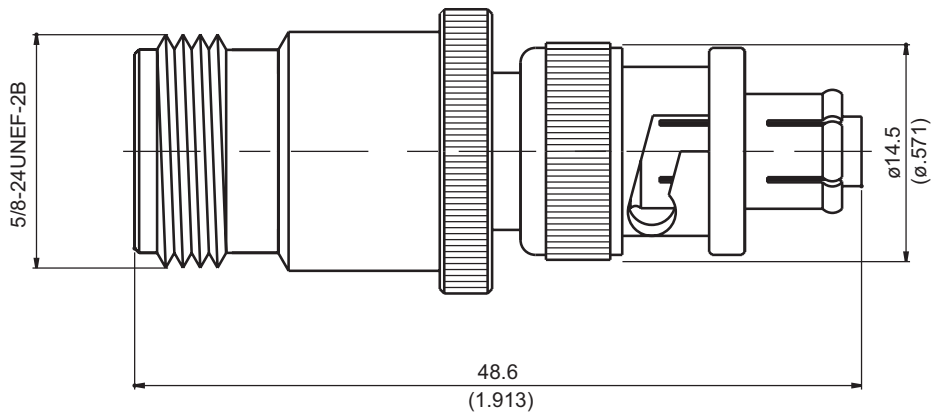


AD-N8V3

N Jack To SHV Plug

50Ω



Typical VSWR

Part Number	300 Mhz
AD-N8V3	1.16

Parts	Material	Plating (Micro-inch)
Gasket	Silicone	
Contact Pin	Beryllium Copper	Gold 10 Over Nickel 50 Over Copper 50
Spring	SK5	Tin-Zinc-Copper-Alloy 100 Over Copper 50
Washer	Brass	Tin-Zinc-Copper-Alloy 100 Over Copper 50
Insulator	Teflon	
Body	Brass	Tin-Zinc-Copper-Alloy 100 Over Copper 50
Coupling Nut(SHV)	Brass	Tin-Zinc-Copper-Alloy 100 Over Copper 50

Weight: 40.51 g

Notice: JYEBAO reserves the right to make modifications deemed appropriate.