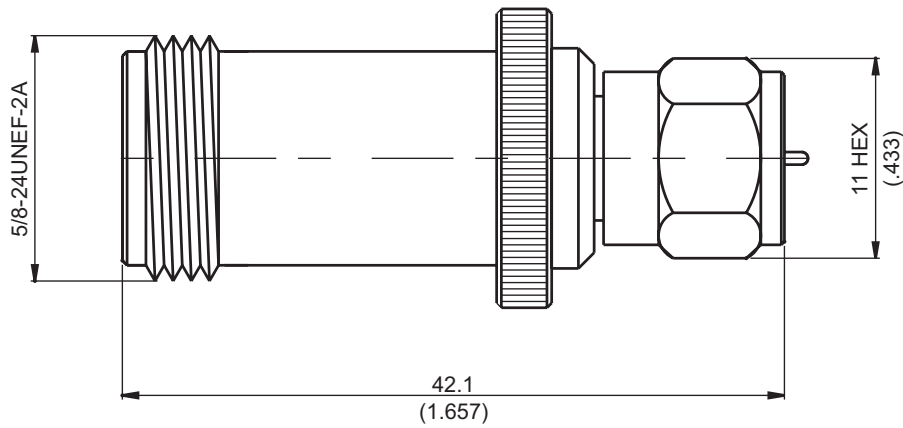


AD-N8F3

N Jack To F Plug

75Ω



Typical VSWR

Part Number	1 Ghz	2 Ghz	3 Ghz
AD-N8F3	1.21	1.22	1.33

Parts	Material	Plating (Micro-inch)
Contact Pin(N)	Beryllium Copper	Gold 10 Over Nickel 50 Over Copper 50
Insulator	Teflon	
Body	Brass	Tin-Zinc-Copper-Alloy 100 Over Copper 50
Contact Body	Brass	Tin-Zinc-Copper-Alloy 100 Over Copper 50
Coupling Nut(F)	Brass	Tin-Zinc-Copper-Alloy 100 Over Copper 50
Renber Ring	Brass	Tin-Zinc-Copper-Alloy 100 Over Copper 50

Weight: 37.39 g

Notice: JYEBAO reserves the right to make modifications deemed appropriate.