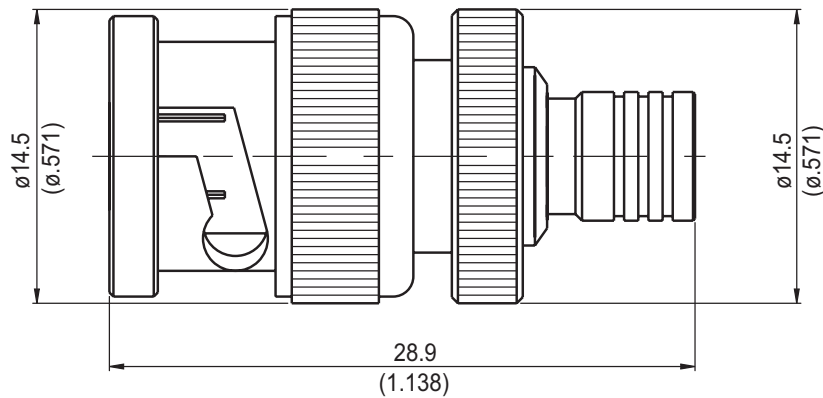


AD-B3S3

BNC Plug To SMB Plug



Typical VSWR

| Part Number | 1 Ghz | 2 Ghz | 3 Ghz | 4 Ghz |
|-------------|-------|-------|-------|-------|
| AD-B3S3     | 1.05  | 1.05  | 1.12  | 1.21  |

| Parts             | Material         | Plating (Micro-inch)                     |
|-------------------|------------------|--|
| Renber Ring       | Berullium Copper | Gold 5 Over Nickel 50 Over Copper 50     |
| Coupling Nut(SMB) | Brass            | Gold 5 Over Nickel 50 Over Copper 50     |
| Contact Body      | Brass            | Gold 5 Over Nickel 50 Over Copper 50     |
| Contact Pin       | Phosphor Bronze  | Gold 10 Over Nickel 50 Over Copper 50    |
| Gasket            | Silicone         |  |
| Spring            | SK5              | Tin-Zinc-Copper-Alloy 100 Over Copper 50 |
| Washer            | Brass            | Tin-Zinc-Copper-Alloy 100 Over Copper 50 |
| Insulator         | Teflon           |  |
| Body              | Brass            | Tin-Zinc-Copper-Alloy 100 Over Copper 50 |
| Coupling Nut(BNC) | Brass            | Tin-Zinc-Copper-Alloy 100 Over Copper 50 |

Weight: 14.13 g

Notice: JYEBAO reserves the right to make modifications deemed appropriate.