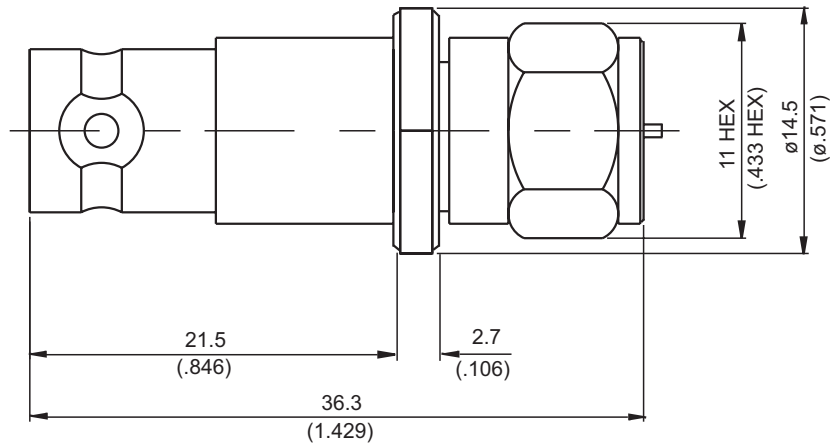


AD-B8F3

BNC Jack To F Plug

75Ω



Typical VSWR

Part Number	1 Ghz	2 Ghz	2.7 Ghz
AD-B8F3	1.23	1.28	1.28

Parts	Material	Plating (Micro-inch)
Renber Ring	Brass	Tin-Zinc-Copper-Alloy 100 Over Copper 50
Contact Pin	Beryllium Copper	Gold 10 Over Nickel 50 Over Copper 50
Contact Body	Brass	Tin-Zinc-Copper-Alloy 100 Over Copper 50
Insulator	Teflon	
Body	Brass	Tin-Zinc-Copper-Alloy 100 Over Copper 50
Coupling Nut(F)	Brass	Tin-Zinc-Copper-Alloy 100 Over Copper 50

Weight: 15.82 g

Notice: JYEBAO reserves the right to make modifications deemed appropriate.