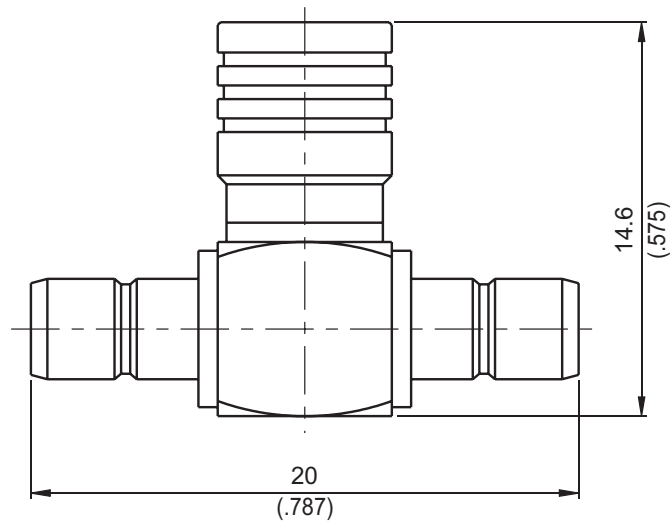


AT-S8S3S8

SMB Jack To SMB Plug To SMB Jack 50Ω



Parts	Material	Plating (Micro-inch)
Cover	Brass	Gold 5 Over Nickel 50 Over Copeer 50
Retainer Ring	Brass	Tin-Zinc-Copper-Alloy 100 Over Copper 50
Contact Pin(Plug)	Beryllium Copper	Gold 10 Over Nickel 50 Over Copper 50
Contact Pin(Jack)	Brass	Gold 10 Over Nickel 50 Over Copper 50
Insulator	Teflon	
Contact Body	Brass	Gold 5 Over Nickel 50 Over Copeer 50
Body	Brass	Gold 5 Over Nickel 50 Over Copeer 50

Weight: 4.31 g

This part number complies with RoHS.

Notice: JYEBAO reserves the right to make modifications deemed appropriate.