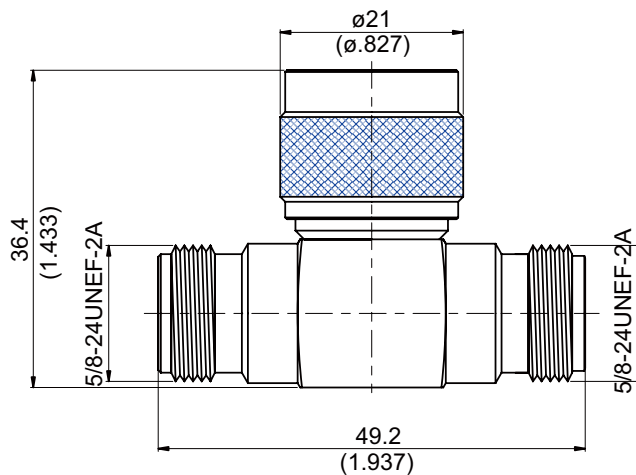


AT-N8N3N8

N JACK TO N PLUG TO N JACK 50Ω



Parts	Material	Plating (Micro-inch)
Contact Pin(Male)	Brass	Gold 10 Over Nickel 50 Over Copper 50
Contact Body	Brass	Tin-Zinc-Copper-Alloy 100 Over Copper 50
Retainer Ring	Brass	Tin-Zinc-Copper-Alloy 100 Over Copper 50
Gasket	Silicon	
Contact Body	Brass	Tin-Zinc-Copper-Alloy 100 Over Copper 50
Insulator	Teflon	
Contact Pin(Female)	Phosphor Bronze	Gold 10 Over Nickel 50 Over Copper 50
Body	Brass	Tin-Zinc-Copper-Alloy 100 Over Copper 50
Coupling Nut	Brass	Tin-Zinc-Copper-Alloy 100 Over Copper 50

Weight: 97.3 g

This part number complies with RoHS.

Notice: JYEBAO reserves the right to make modifications deemed appropriate.