

P/N	RF In	RF Out	Bias Connector	DC current Maximum	Isolation (RF to Bias port typical)	DC Volt Maximum	Frequency Range	VSWR				Figure
								1G	2G	3G	6G	
BT-A8A8/A8-3G	SMA female	SMA female	SMA female	100mA	30dB	20	10Mhz to 3GHz	≤1.2	≤1.25	≤1.3	-	1
BT-A8A8/A8-3G-50	SMA female	SMA female	SMA female	100mA	30dB	50	10Mhz to 3GHz	≤1.2	≤1.25	≤1.3	-	1
BT-A8A8/MC8-6G	SMA female	SMA female	SMC female	100mA	28dB	20	10Mhz to 6GHz	≤1.15	≤1.2	≤1.25	≤1.3	2
BT-A8A8/MC8-6G-50	SMA female	SMA female	SMC female	100mA	28dB	50	10Mhz to 6GHz	≤1.15	≤1.2	≤1.25	≤1.3	2

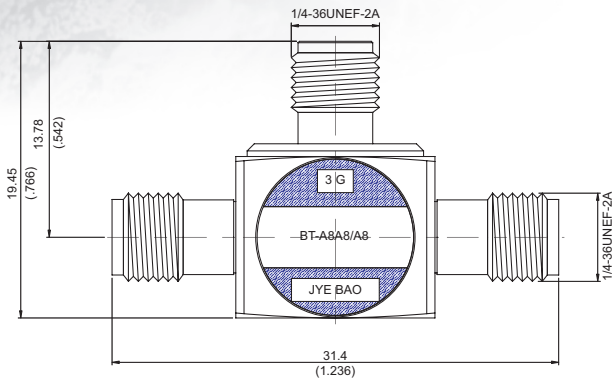


Fig. 1

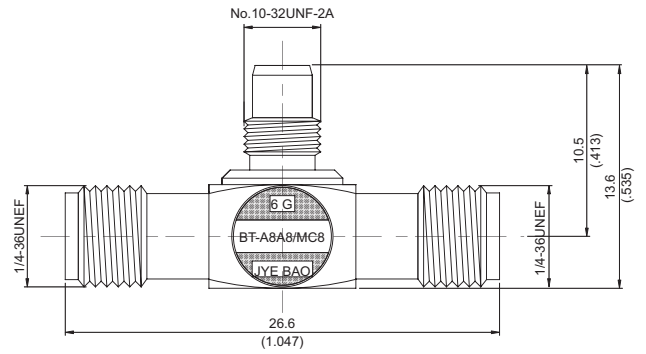


Fig. 2